

AREA OF ABANDONMENT
SEE SHEET 2 OF 3
FOR DETAILS

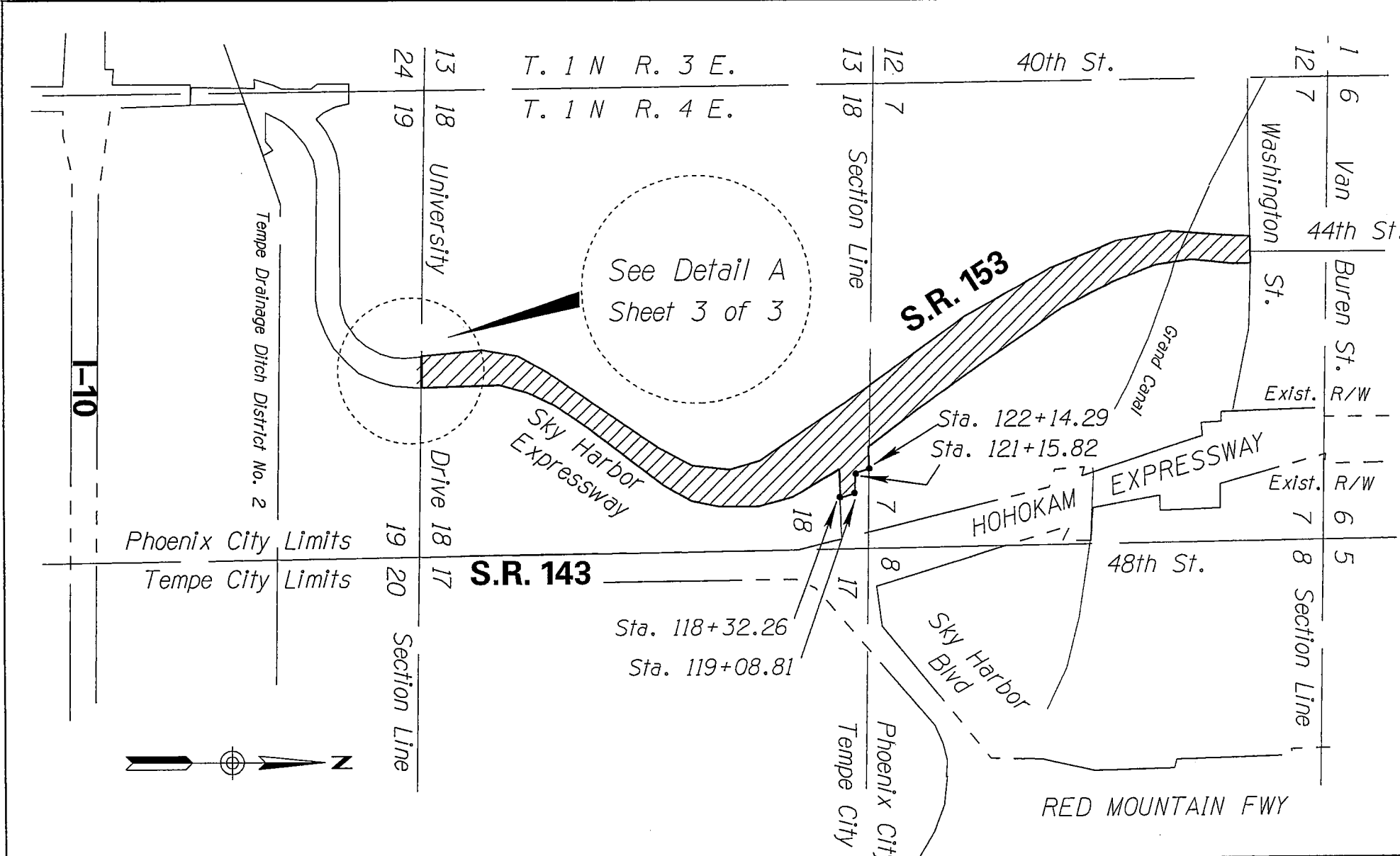
THIS PLAT WAS DIGITALLY PRODUCED
FROM ARIZONA DEPARTMENT OF
TRANSPORTATION
GENERAL HIGHWAY MAP

RIGHT OF WAY PLANS SECTION
REVISED MAY 17, 2000

APPENDIX "A"

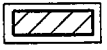
SKY HARBOR EXPRESSWAY
143 MA 000 H0849 01R / 600-3-7000
143 MA 000 H0888 01R / 600-3-8000
Washington St - University Dr
Maricopa County

DATE: OCT 19, 2007 SHEET 1 OF 3



THIS PLAT WAS DIGITALLY PRODUCED FROM ARIZONA DEPARTMENT OF TRANSPORTATION GENERAL HIGHWAY MAP

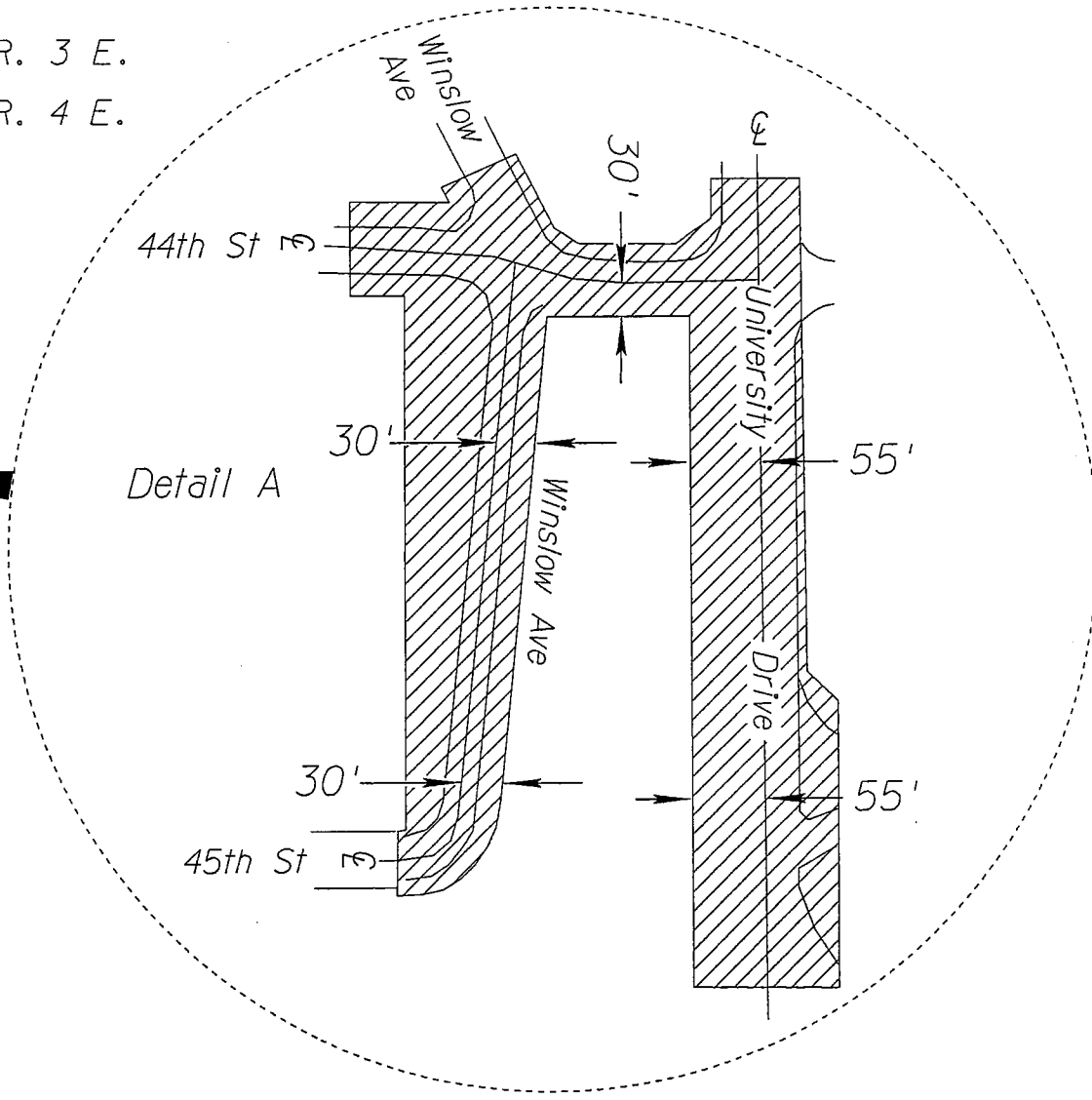
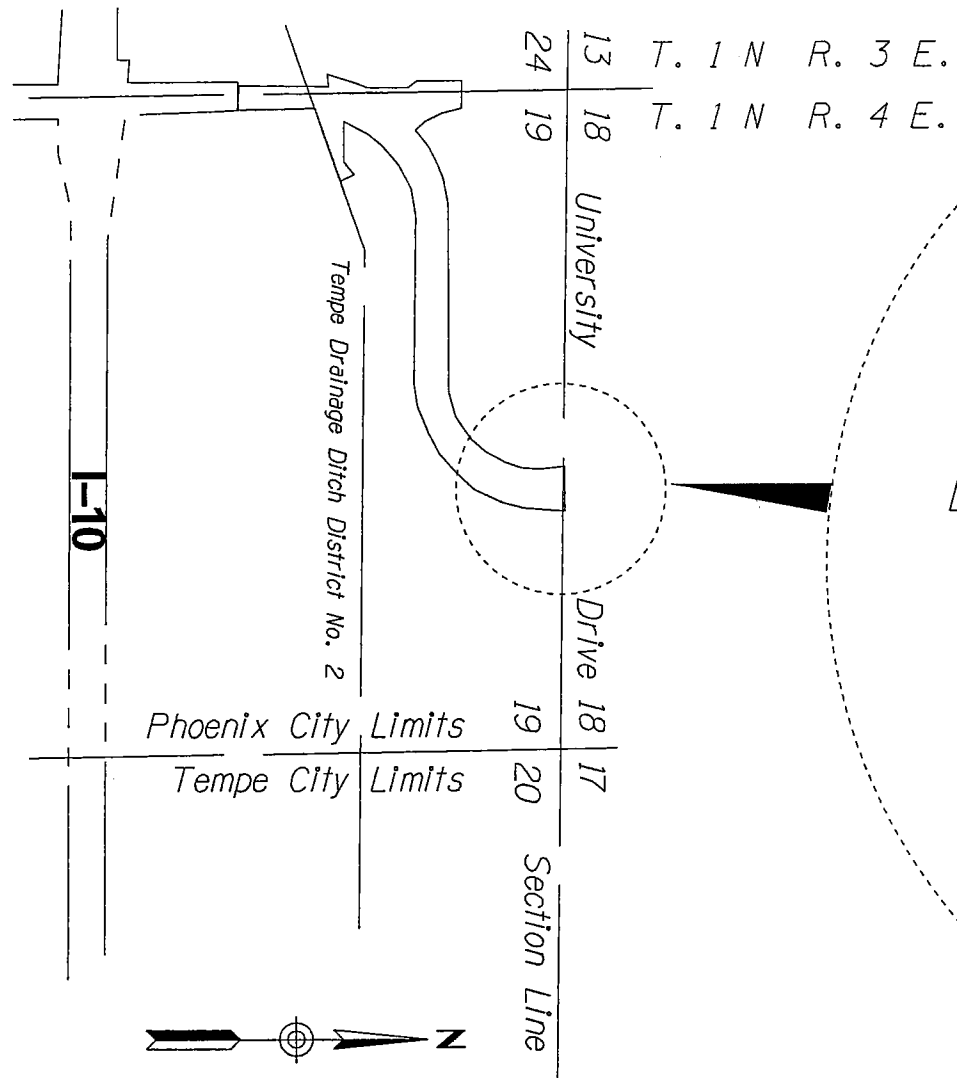
RIGHT OF WAY PLANS SECTION
REVISED JULY 17, 2000

AREA OF  ABANDONMENT

APPENDIX "A"


SKY HARBOR EXPRESSWAY
 143 MA 000 H0849 01R / 600-3-708
 143 MA 000 H0888 01R / 600-3-801
 Washington St - University Dr
 Maricopa County

DATE: OCT 19, 2007 SHEET 2 OF 3



THIS PLAT WAS DIGITALLY PRODUCED FROM ARIZONA DEPARTMENT OF TRANSPORTATION GENERAL HIGHWAY MAP

RIGHT OF WAY PLANS SECTION
REVISED JULY 17, 2000

AREA OF  ABANDONMENT

APPENDIX "A"

SKY HARBOR EXPRESSWAY
143 MA 000 H0849 01R / 600-3-700
143 MA 000 H0888 01R / 600-3-800
Washington St - University Dr
Maricopa County

DATE: OCT 19, 2007 SHEET 3 OF